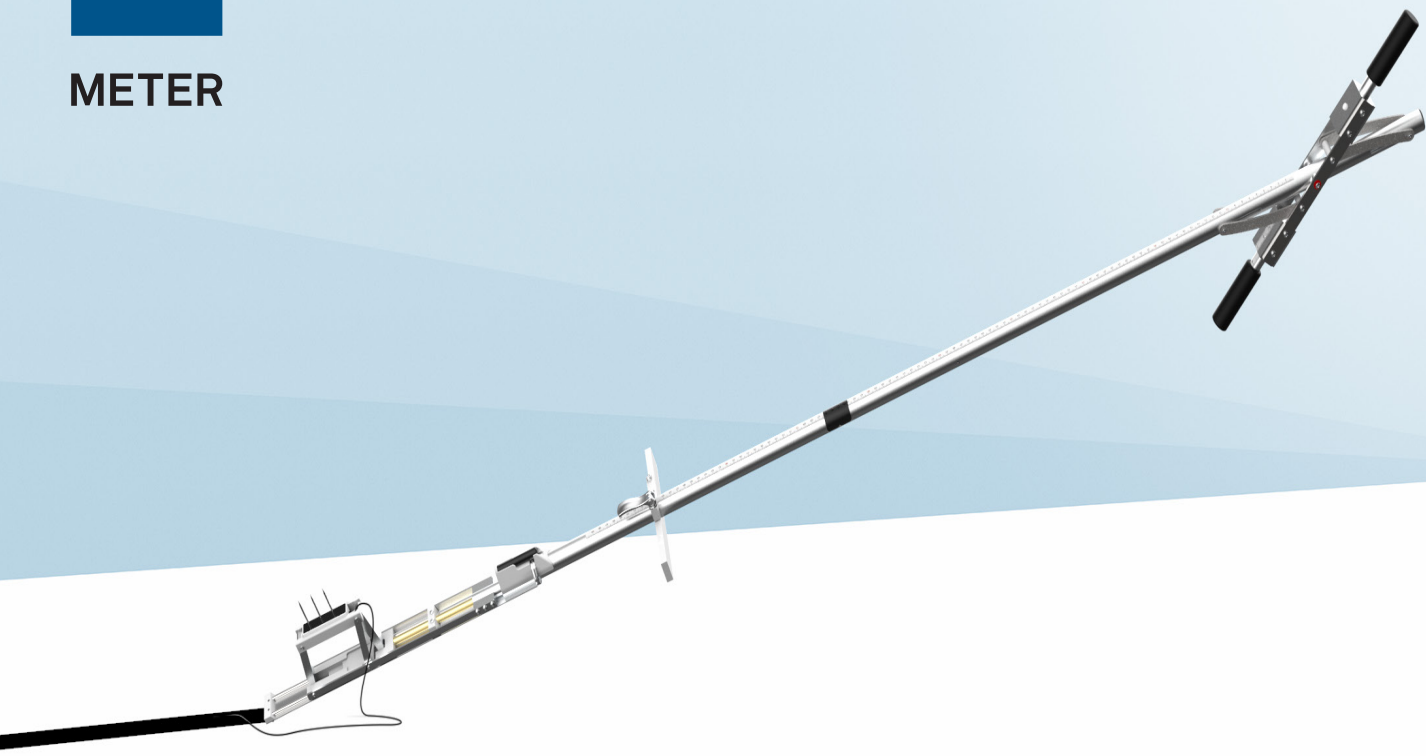


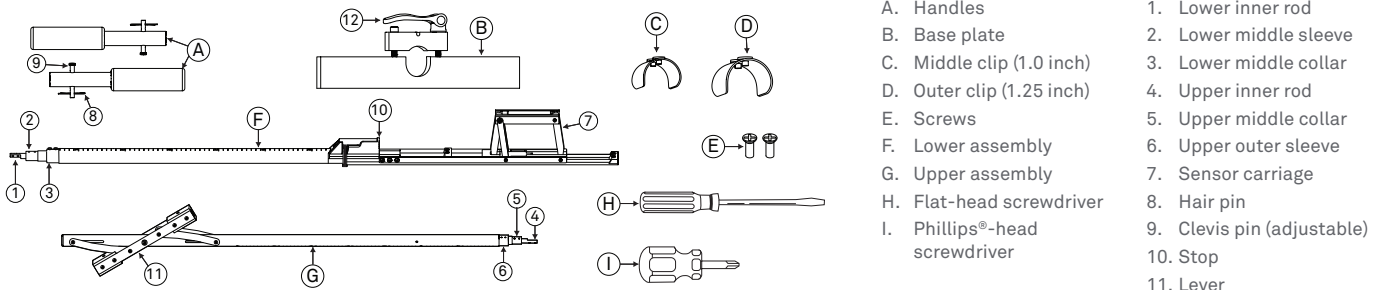


METER

TEROS BOREHOLE INSTALLATION TOOL



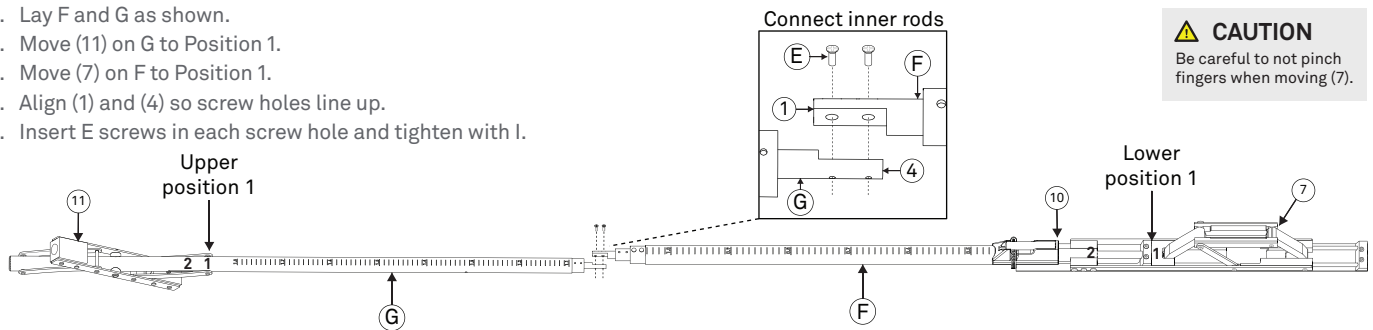
TEROS BIT ASSEMBLY INSTRUCTIONS



NOTE: The assembled TEROS BIT is more than 8-ft long. Find a suitable assembling area that is flat and large enough. A 4-in auger with handle and extensions is included to aid in sensor installation.

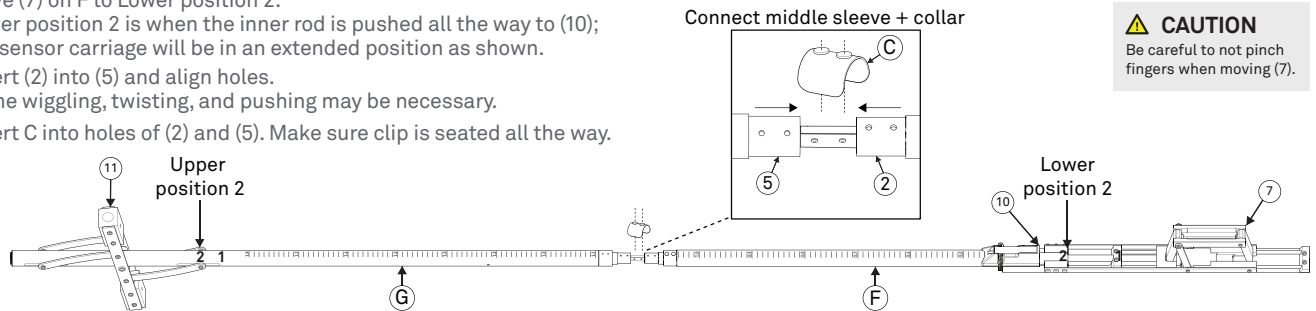
ATTACH UPPER INNER ROD + LOWER INNER ROD

1. Lay F and G as shown.
2. Move (11) on G to Position 1.
3. Move (7) on F to Position 1.
4. Align (1) and (4) so screw holes line up.
5. Insert E screws in each screw hole and tighten with I.



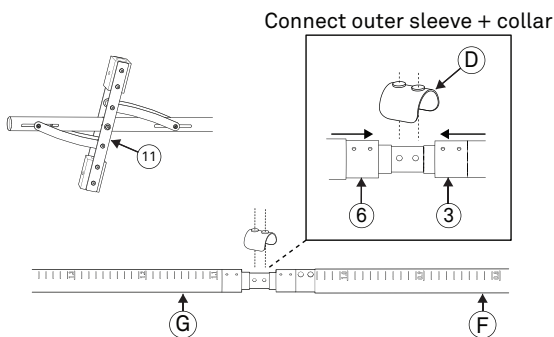
ATTACH UPPER MIDDLE SLEEVE + LOWER MIDDLE COLLAR

1. Move (11) on G to Upper position 2.
2. Move (7) on F to Lower position 2.
Lower position 2 is when the inner rod is pushed all the way to (10); the sensor carriage will be in an extended position as shown.
3. Insert (2) into (5) and align holes.
Some wiggling, twisting, and pushing may be necessary.
4. Insert C into holes of (2) and (5). Make sure clip is seated all the way.



ATTACH OUTER SLEEVE + COLLAR

1. Rotate (11) on G and pull (3) until it slips over (6); align holes.
2. Install D into the holes of (3) and (6). Make sure clip is seated all the way.



HANDLES + BASE PLATE

1. Insert A on (11). Insert (9) through hole in A and (11) and secure with (8).
2. Install B on F. Rotate top of B over F. Insert bolt and tighten. Leave the bolt a little loose so B can be moved up and down F.
3. Use (12) to adjust B when preparing for desired installation depth.

